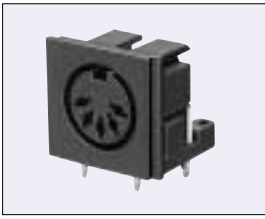


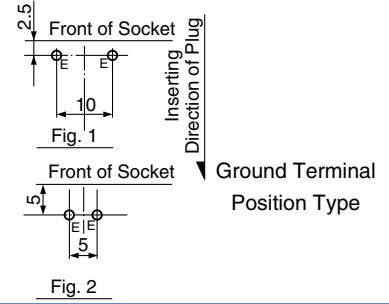
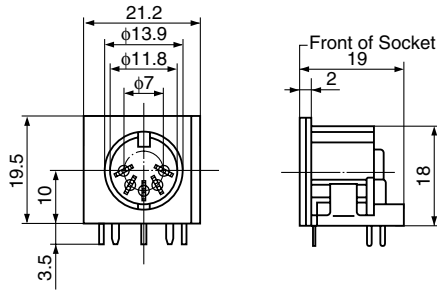
DIN Connectors (Horizontal Type Sockets)

Unit: mm

TCS4400 Series



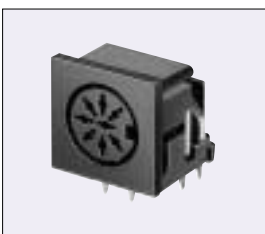
TCS4450-01-4051



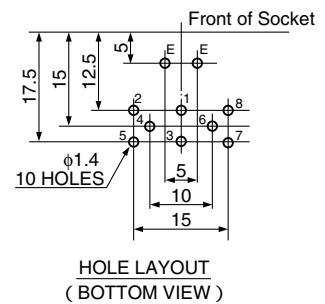
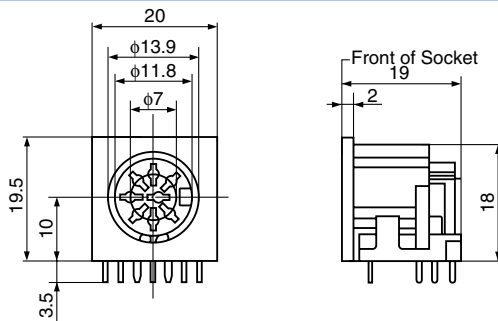
No. of Poles	3	4	5a	5b
HOLE LAYOUT (BOTTOM VIEW) Ground Term. Position Type Fig.1				
5c	6	7	8a	8b

DIN Standard No.	41524	—	41524	—	45327	45322	45329	45326	—
Number of Contacts	3	4	5a	5b	5c	6	7	8a	8b
Arrangement									
	Ground Terminal Position								
TCS4400 Series	Fig.1 TCS4430-01-4051	Fig.1 TCS4440-01-4051	Fig.1 TCS4450-01-4051	Fig.1 TCS4420-01-4051	Fig.1 TCS4410-01-4051	Fig.1 TCS4460-01-4051	Fig.1 TCS4470-01-4051	Fig.1 TCS4480-01-4051	Fig.1 TCS4490-01-4051
	Fig.2 TCS4430-01-4151	Fig.2 TCS4440-01-4151	Fig.2 TCS4450-01-4151	Fig.2 TCS4420-01-4151	Fig.2 TCS4410-01-4151	Fig.2 TCS4460-01-4151	Fig.2 TCS4470-01-4151	Fig.2 TCS4480-01-4151	Fig.2 TCS4490-01-4151

TCS5089 Series



TCS5089-18-4151



DIN Standard No.	45326
Number of Contacts	8a
Arrangement	
TCS5089 Series	TCS5089-18-4151